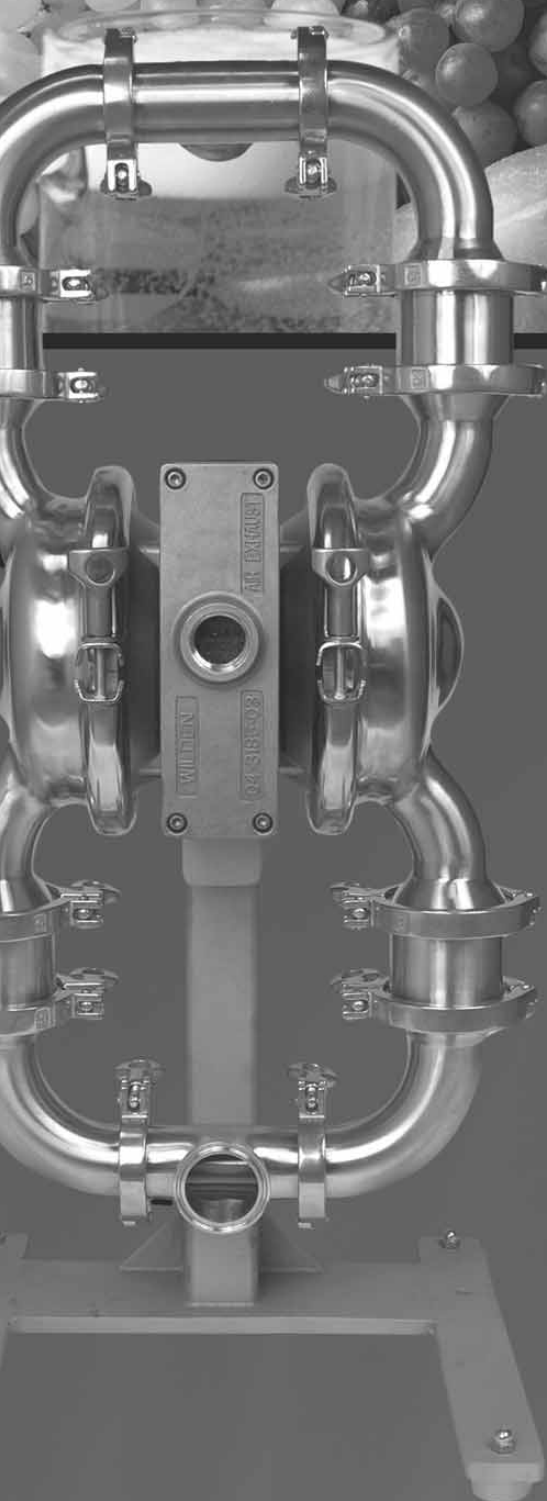


PV8

Saniflo™ Hygienic Series **METAL** Pumps



Refine your process



TYPE EL
SEPTEMBER 2005

PROFLO V™
PROGRESSIVE PUMP TECHNOLOGY

WILDEN®
A **DOVER** COMPANY



WIL-12210-E-03

WILDEN PUMP DESIGNATION SYSTEM

**PV8 SANIFLO™
HYGIENIC SERIES**

**51 mm (2") Pump
Maximum Flow Rate:
590 lpm (156 gpm)**

LEGEND

PV8 / XXXXX / XXX / XX / XX / XXXX

MODEL

WETTED PARTS & OUTER PISTON

AIR VALVE
CENTER BLOCK
AIR CHAMBERS

DIAPHRAGMS

CHECK VALVES

GASKETS

SPECIALTY
CODE
(if applicable)

MATERIAL CODES

MODEL

PV8 = 51 mm (2")
XPV8 = 51 mm (2") ATEX

**WETTED PARTS/
OUTER PISTON**

SS = 316L STAINLESS STEEL
SZ = 316L STAINLESS STEEL/
NO PISTON

AIR CHAMBERS

N = NICKEL PLATED ALUMINUM
S = 316 STAINLESS STEEL

CENTER BLOCK

N = NICKEL PLATED ALUMINUM
S = 316 STAINLESS STEEL

AIR VALVE

N = NICKEL PLATED ALUMINUM
S = 316 STAINLESS STEEL

DIAPHRAGMS

BNU = ULTRA-FLEX™ BUNA¹
EPU = ULTRA-FLEX™ EPDM^{1,5}
FBS = SANITARY BUNA¹
(two yellow dots)
FES = SANITARY EPDM^{1,5}
(two blue dots)
FSS = SANIFLEX™¹
FWS = SANITARY WIL-FLEX™¹
LEL = PTFE-EPDM BACKED
LAMINATE IPD^{1,2,3,4,5}
TEU = PTFE w/EPDM BACKUP^{1,2,5}
TSU = PTFE w/SANIFLEX™
BACK-UP^{1,2}

CHECK VALVES

FB = SANITARY BUNA^{1,3,4}
(red dot)
FE = SANITARY EPDM^{1,3,4,5}
(green dot)
FS = SANIFLEX™^{1,3,4}
FV = SANITARY VITON®^{1,3,4}
(one white/one
yellow dot)
FW = SANITARY WIL-FLEX™^{1,3,4}
SF = 316L STAINLESS
STEEL FLAP⁶
TF = PTFE^{1,2,3,4,5}
TM = PTFE MUSHROOM
CHECK^{1,2,5}

GASKET

FB = SANITARY BUNA-N^{1,3,4}
(red dot)
FE = SANITARY EPDM^{1,3,4,5}
(green dot)
FV = SANITARY VITON®^{1,3,4}
(one white/one
yellow dots)
TF = PTFE^{1,2,3,4,5}

NOTE:

1. Meets Requirements of FDA CFR21.177
2. Meets Requirements of USP Class VI
3. Required for EHEDG Certification
4. Required for 3-A Certification
5. Required for ATEX Certification
6. Flap Valve Not Available on PTFE, Ultra-Flex™ & SIPD

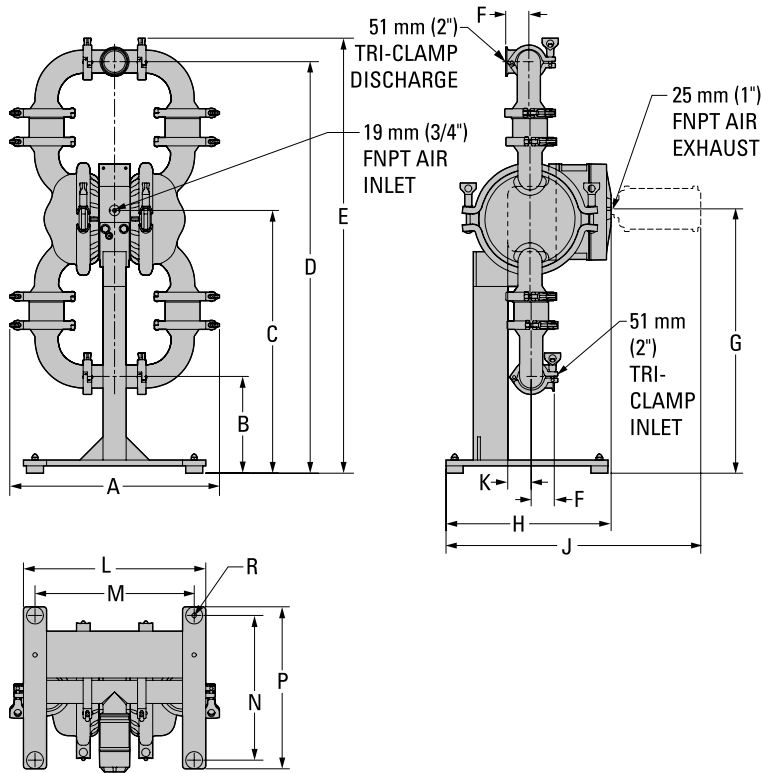
SPECIALTY CODES

- 0770 SaniFlo HS
- 0771 SaniFlo HS, w/Swivel Stand
- 0772 SaniFlo HS, Wil-Gard 110V
- 0773 SaniFlo HS, Wil-Gard 220V
- 0774 SaniFlo HS, Wil-Gard 110V, w/Swivel Stand (Required for 3-A cert.)
- 0775 SaniFlo HS, Wil-Gard 220V, w/Swivel Stand (Required for 3-A cert.)

NOTE: MOST ELASTOMERIC MATERIALS USE COLORED DOTS FOR IDENTIFICATION.

Viton® is a registered trademark of DuPont Dow Elastomers.

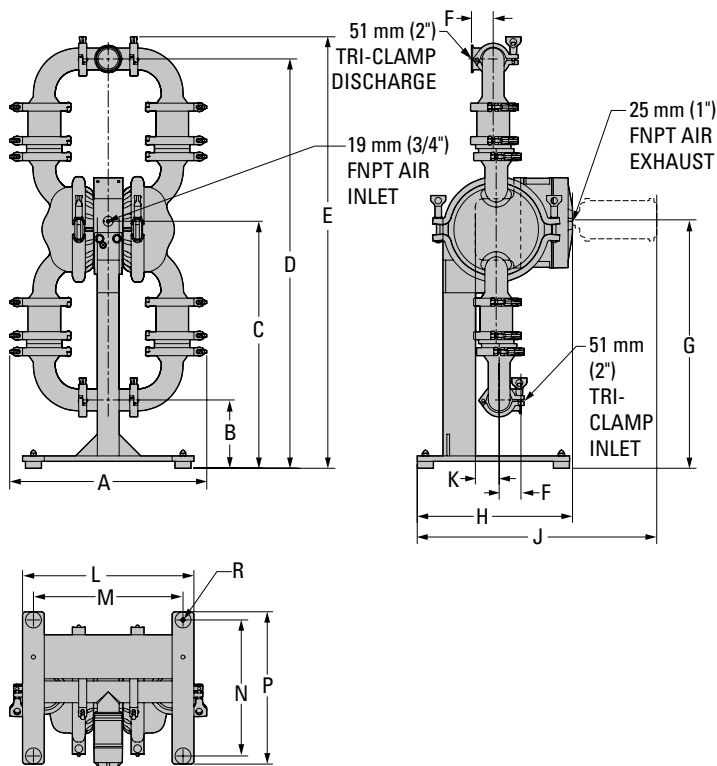
PV8 Saniflo™ HS Fixed



DIMENSIONS

PV8 SANIFLO™ HS VERTICAL FIXED WITH MUSHROOM OR BALL VALVE		
ITEM	METRIC (mm)	STANDARD (inch)
A	460	18.1
B	213	8.4
C	577	22.7
D	902	35.5
E	955	37.6
F	51	2.0
G	579	22.8
H	363	14.3
J	559	22.0
K	46	1.8
L	401	15.8
M	351	13.8
N	318	12.5
P	356	14.0
R	ø10	ø0.4

PV8 Saniflo™ HS Fixed



DIMENSIONS

PV8 SANIFLO™ HS VERTICAL FIXED WITH FLAP VALVE		
ITEM	METRIC (mm)	STANDARD (inch)
A	460	18.1
B	160	6.3
C	577	22.7
D	955	37.6
E	1008	39.7
F	51	2.0
G	579	22.8
H	363	14.3
J	559	22.0
K	56	2.2
L	401	15.8
M	351	13.8
N	318	12.5
P	356	14.0
R	ø10	ø0.4

Initially Issued: 6/22/1995

Authorization No.: 833



This Is To Certify That

Wilden Pump & Engineering LLC

22069 Van Buren Street, Grand Terrace, CA 92313-5651

Is hereby authorized to continue to apply the 3-A Symbol to the models of equipment, conforming to 3-A Sanitary Standards for:

Diaphragm Pumps, Number: 44-03, set forth below:

Model Designations: See Attached List

Valid through: December 31, 2007

Timothy R. Rugh
Executive Director, 3-A Sanitary Standards, Inc.

The issuance of this authorization for the use of the 3-A Symbol is based upon the voluntary certification, by the applicant for it, that the equipment listed above complies fully with the 3-A Sanitary Standards designated. Legal responsibility for compliance is solely that of the holder of this Certificate of Authorization, and 3-A Sanitary Standards, Inc. does not warrant that the holder of an authorization at all times complies with the provisions of the said 3-A Sanitary Standards. This in no way affects the responsibility of 3-A Sanitary Standards, Inc to take appropriate action in cases in which evidence of nonconformance has been established.

CERTIFICATE OF COMPLIANCE



*TNO Certification
hereby declares that the product*

Air operated double Diaphragm Pump type Saniflo HS size 1.0" to 3.0"


From

Wilden Pump & Engineering, LLC, Grand Terrace, USA

*has been evaluated for compliance with the Hygienic Equipment Design Criteria
of the EHEDG, Document No. 8, by:*

*TNO Quality of Life at Zeist, Netherlands
and meets the criteria of this document as demonstrated by:*

Evaluation Report No. V6621RE

Signed 
Evaluation Officer

Date June 15, 2006

Signed 
Managing Director, TNO Certification

Date June 15, 2006



Certificate No. C06-8337

*TNO Certification BV, P.O. Box 541, 7300 AM Apeldoorn, Netherlands
©EHEDG*